

SN-IPV7281MFAC-B

8MP Smart Dual Light Active Deterrence Turret Network Camera



Key Features

- 1/1.8" progressive scan CMOS
- Max. 8MP(3840×2160) @25/30fps resolution
- Supports face, human, and vehicle detection & capture.
- Supports human and vehicle attribute detection.
- Intelligent analytics: Intrusion, line-crossing, loitering, wrong-way detection, illegal parking, perimeter detection, smart motion detection, people counting, and human behavior analysis (running, fall, fight).
- True WDR (120dB), 3D DNR, ROI, HLC, BLC, Defog.
- Built-in red and blue warning light, support sound-light warning.
- Built-in IR LED and warm lights, illumination distance up to 30 m.
- Built-in microphone and speaker, 1/1 audio in/out, 1/1 alarm in/out.
- Built-in microSD card slot (up to 1 TB)
- IP66 protection

Specifications

| Camera | |
|-----------------------|--|
| Image Sensor | 1/1.8" Progressive Scan CMOS |
| Max Resolution | 8MP, 3840(H) × 2160(V) |
| Shutter Speed | 1/5 to 1/20,000s |
| Min Illumination | Color: 0.0005 Lux @ (F1.0, AGC ON), 0 Lux with illuminator on |
| Day & Night | Auto (ICR) |
| Angle Adjustment | Pan: 0° to 335°, Tilt: 0° to 75°, Rotation: 0° to 360° |
| Lens | |
| Lens Type | Fixed lens |
| Focal Length | 2.8 mm |
| Max. Aperture | F1.0 |
| Field of View (FOV) | H: 109.4°, V: 59.5° |
| Iris | Fixed Iris |
| Illuminator | |
| Type | IR, Warm light |
| IR wavelength | 850 nm |
| Distance | IR distance up to 30 m (98.4 ft) Warm light distance up to 30 m (98.4 ft) |
| Control | IR mode, White mode, Intelligent mode, None |
| Intelligent Analytics | |
| AI Multi-Target | - Supports face, human, and vehicle detection & capture. - Supports human and vehicle attribute detection. |
| Attribute Extraction | Human Attributes: Gender, age, glasses, hat, bag, upper clothing color & style, lower clothing color & style, reflective vest. Vehicle Attributes: Type, color, brand, orientation. |
| Intelligent Analysis | Intrusion detection, smart motion detection, single line crossing, double line crossing, loitering, wrong-way detection, illegal parking, area people limit, perimeter detection, running detection, fall detection, fight detection. - Supports accurate target classification (human/vehicle) |
| People Counting | Supported |
| Video & Audio | |
| Number of Streams | 3 Streams |
| Resolution | Stream1: 2688×1520, 2560×1440, 2304×1296, 1920×1080, 1280×720 Stream2: D1, VGA, CIF Stream3: VGA, CIF, QVGA |

| | |
|-----------------------------------|---|
| Frame Rate | Up to 25/30fps |
| Bit Rate Control | CBR/VBR |
| Bit Rate | Stream1: 200 Kbps to 12 Mbps Stream2: 100 Kbps to 6 Mbps Stream3: 100 Kbps to 3 Mbps |
| Smart Encoding | Supported |
| Region of Interest (ROI) | 8 areas |
| Audio Compression | G.711 A-law, G.711 μ -law, RAW_PCM |
| Audio Bit Rate | 64 Kbps (G.711), 128 Kbps (RAW_PCM) |
| Image | |
| Image Adjustment | Brightness, Sharpness, Contrast, Saturation |
| Scene Mode | Indoor, Outdoor, Mirror, Corridor Mode |
| Exposure Mode | Auto, Manual, Shutter priority |
| White Balance | Auto, Tungsten, Fluorescent, Daylight, Shadow, Manual |
| Day/Night Setting | Auto, Day mode, Night mode, Timer |
| Noise Reduction | 2D/3D DNR |
| Image Enhancement | WDR, HLC, BLC, Defog |
| Wide Dynamic Range | True WDR (120dB) |
| Privacy Masking | 4 areas |
| Event | |
| Alarm Triggers | IVS, Motion detection, Alarm input, Network alarm, Disk alarm, Day/Night switch alarm, Abnormal sound detection |
| Event Actions | Alarm record, FTP upload, SMTP upload, Alarm output, Snapshot, Audible alarm output, White light alarm output, Red and blue light alarm |
| Network | |
| Protocols | IPv4/IPv6, HTTP/HTTPS, DNS, DDNS, DHCP, PPPoE, RTSP/ RTCP/RTP, TCP/UDP, NTP, ARP, UPnP, FTP, SMTP, QoS, ICMP, IGMP, SMTP, 802.1x, SNMP, Multicast |
| Application Programming Interface | ONVIF (Profile S/T/G/M), SDK, CGI |
| Max Concurrent Streams | 10 channels |
| User/Host Level | 32+ users, 3 user levels: Administrator, Operator, Media user |
| Web Viewer | <IE11, Chrome, Firefox, Microsoft Edge |
| Security | |
| OS / Firmware Protect | Encrypted firmware, Secure boot, Signed firmware |
| User Authentication | Digest authentication, Prevent brute-force attack |
| Network Authentication | IEEE 802.1X (EAP-TLS) |
| Secure Communication | HTTPS, WSS (WebSocket Secure), SRTP |
| Access Control | IP-based access control, Auto logout |

| | |
|-----------------------|---|
| Data Protect | Encryption credentials |
| Audit | Access / System / Event Log management |
| Secure Storage | SDcard partition encrypt(AES-256), Secure element |
| Supply Chain Security | SBOM |

Interface

| | |
|---------------------|---|
| Network Interface | 1 × Ethernet (10/100 Base-T), RJ-45 connector |
| Built-in Microphone | Supported |
| Built-in Speaker | Supported |
| Audio Interface | 1 × Input; 1 × Output |
| Alarm Interface | 1 × Input; 1 × Output |
| SD Card Slot | Built-in microSD card slot, up to 1 TB |
| Reset Button | Supported |

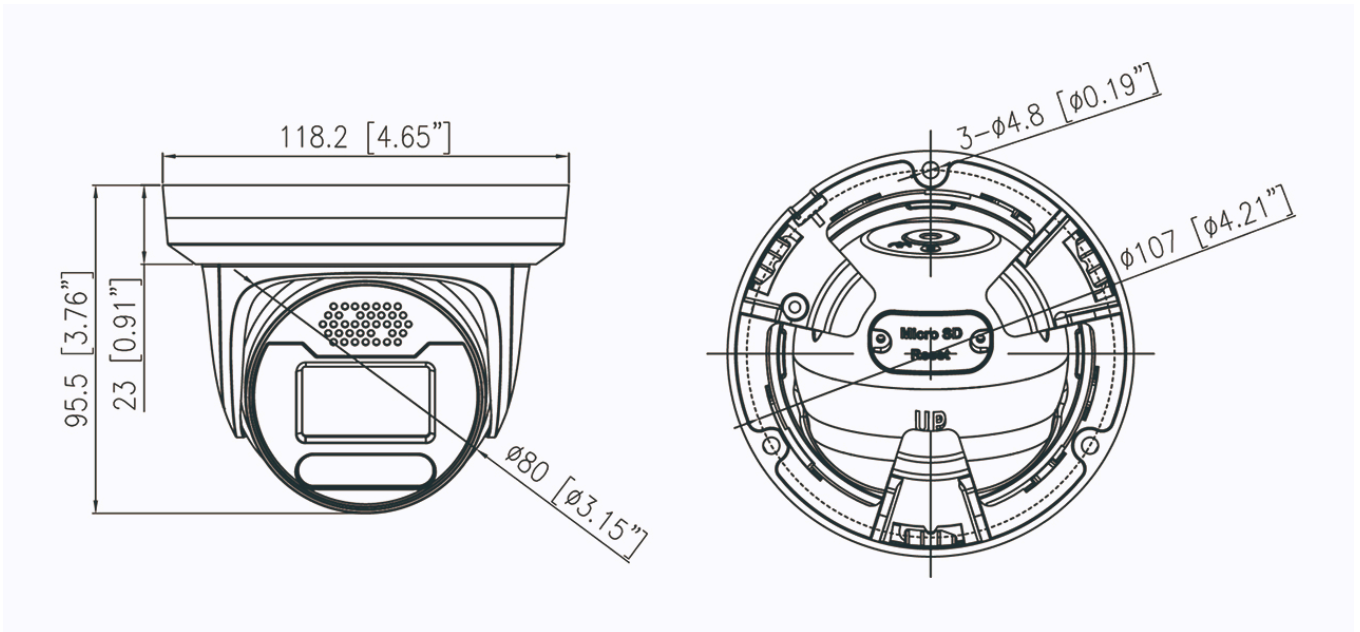
General

| | |
|-----------------------|--|
| Language | English, Chinese, Traditional Chinese, Polish, Italian, Portuguese, Spanish, Russian, French, Czech, Hungarian, Japanese, Korean. Default: English |
| Power Supply | 12 VDC (-15% to +25%) / PoE (802.3af) |
| Power Consumption | Typical: 3.3 W (12VDC); approx. 4.1 W (PoE) Max (with IR/Warm Light + Speaker + Red/Blue Lights on): 8.3 W (12 VDC); approx. 10.4 W (PoE) |
| Operating Temperature | -30°C to 60°C (-22°F to 140°F) |
| Operating Humidity | Less than 95% RH |
| Ingress Protection | IP66 |
| Certifications | CE-EMC - EN 55032, EN IEC 61000-6-4, EN IEC 61000-3-2, EN 61000-3-3, EN 55035, EN 50130-4 FCC 47 CFR Part 15 Subpart B |
| Material | Aluminum alloy body, Decoration ring: plastic |
| Dimensions | φ118.2 × 95.5 mm (φ4.65 × 3.76 inch) |
| Net Weight | Approx. 545 g (1.2 lb) |

DORI Distance (EN62676-4 standard)

| | |
|-----------|-------------------|
| Detect | 80.4 m (263.8 ft) |
| Observe | 32.2 m (105.6 ft) |
| Recognize | 16.1 m (52.8 ft) |
| Identify | 8.0 m (26.3 ft) |

Dimensions (mm)



Accessories

Optional:

| | | | |
|---|---|--|---|
|  |  |  |  |
| SN-CBK646M Junction Box | SN-BK382A Wall Mount | SN-CBK203 Pendant Cap | SN-CBK402 Ceiling Mount |
|  |  |  |  |
| SN-CBK501 Wall Mount | SN-CBK502 Wall Mount | SN-CBK101 Pole Mount | SN-CBK102 Corner Mount |