

# SN-IPS8641VDL-Z37

7-inch 4MP 37x Starlight Laser Network PTZ Camera



## Key Features

- 1/1.8" STARVIS™ CMOS
- Max. 4MP(2592×1520) @25/30fps resolution, 37x optical zoom, 16x digital zoom
- Supports face, human, and vehicle detection & capture.
- Supports human and vehicle attribute detection.
- Intelligent analytics: Intrusion, smart motion detection, single line crossing, double line crossing, loitering, wrong-way detection, area people limit, perimeter detection, illegal parking, running detection, fall detection, fight detection, smoke and flame detection, and people counting.
- Supports alarm-linked tracking and intelligent tracking based on person/vehicle targets.
- True WDR(120dB), 3D DNR, ICR, Defog and EIS
- Laser illumination distance up to 600 m
- IP66, IK10

## Specifications

| Camera                    |  |
|---------------------------|--|
| Image Sensor              | 1/1.8" Progressive Scan CMOS   |
| Max Resolution            | 4MP, 2592(H) × 1520(V)   |
| Shutter Speed             | 1/5 to 1/20,000s   |
| Min Illumination          | Color: 0.001 Lux @ (F1.5, AGC ON),<br>B/W: 0.0005 Lux @ (F1.5, AGC ON), 0 Lux with illuminator on  |
| Day & Night               | Auto (ICR)   |
| S/N Ratio                 | 55 dB  |
| Lens                      |  |
| Focal Length              | 6.8 to 251 mm  |
| Max. Aperture             | F1.5 to F4.8   |
| Field of View (FOV)       | H: 60.4° to 2.5°, V: 36.5° to 1.5°   |
| Optical Zoom              | 37x  |
| Digital Zoom              | 16x  |
| Iris                      | Auto/Manual  |
| Focus Control             | Auto/Manual/Semi-automatic   |
| Illuminator               |  |
| Type                      | IR + Laser   |
| IR wavelength             | 850 nm   |
| Distance                  | Up to 600 m (1,968.5 ft)   |
| Control                   | Auto / Manual  |
| Intelligent Analytics     |  |
| Multi-Object Detection    | <ul style="list-style-type: none"> <li>- Supports face, human, and vehicle detection &amp; capture;</li> <li>- Supports human and vehicle attribute detection;</li> <li>- Supports multiple frame modes: Full Frame, Four-Corner Frame, Mosaic.</li> </ul>   |
| Attribute Extraction      | <p>Human Attributes: Gender, age, glasses, hat, bag, upper clothing color &amp; style, lower clothing color &amp; style, reflective vest.</p> <p>Vehicle Attributes: Type, color, brand, orientation</p>   |
| Intelligent Analysis      | <p>Intrusion detection, smart motion detection, single line crossing, double line crossing, loitering, wrong-way detection, area people limit, perimeter detection, illegal parking, running detection, fall detection, fight detection.</p> <ul style="list-style-type: none"> <li>- Supports accurate target classification (human/vehicle)</li> </ul> |
| Smoke and Flame Detection | Supported  |
| People Counting           | Supported  |
| Video & Audio             |  |

|                          |  |
|--------------------------|--|
| Number of Streams        | 3 Streams  |
| Resolution               | Stream1: 2592×1520, 2304×1296, 1920×1080, 1280×720<br>Stream2: D1, VGA, CIF<br>Stream3: VGA, CIF, QVGA |
| Frame Rate               | Up to 25/30fps   |
| Bit Rate Control         | CBR/VBR  |
| Bit Rate                 | Stream1: 200 Kbps to 16 Mbps<br>Stream2: 100 Kbps to 6 Mbps<br>Stream3: 100 Kbps to 3 Mbps             |
| Smart Encoding           | Supported  |
| Region of Interest (ROI) | Supported  |
| Audio Compression        | G.711 A-law, G.711 $\mu$ -law, RAW_PCM   |
| Audio Bit Rate           | 64 kbps (G.711), 128 kbps (RAW_PCM)  |
| <b>Image</b>             |  |
| Image Adjustment         | Brightness, Sharpness, Contrast, Saturation adjustable   |
| Scene Mode               | Indoor, Outdoor, Mirror  |
| Exposure Mode            | Auto, Manual, Shutter priority, Iris priority  |
| White Balance            | Auto, Tungsten, Fluorescent, Daylight, Shadow, Manual  |
| Day/Night Setting        | Auto, Day, Night, Timer  |
| Noise Reduction          | 2D/3D DNR  |
| Image Enhancement        | HLC, BLC, Defog, WDR, Anti-shake   |
| Wide Dynamic Range       | True WDR (120dB)   |
| Privacy Masking          | Support 40 zones, mask color configurable  |
| <b>PTZ</b>               |  |
| Pan/Tilt Range           | Pan: 0° to 360° endless, Tilt: -10° to +90° (auto-flip)  |
| Pan Speed                | Pan speed: 0.1° to 300°/s, preset speed: 300°/s  |
| Tilt Speed               | Tilt speed: 0.1° to 300°/s, preset speed: 300°/s   |
| Preset Accuracy          | $\leq 0.2^\circ$   |
| Preset                   | 400  |
| Track                    | 6 Track  |
| Scan                     | 12 Scan  |
| Tour                     | 12 Tour (up to 32 presets each tour)   |
| Intelligent Tracking     | Supported<br>Object auto tracking (Person/Vehicle)   |
| Power-Off Memory         | Supported  |
| 3D Positioning           | Supported  |
| PTZ Status Display       | Supported  |

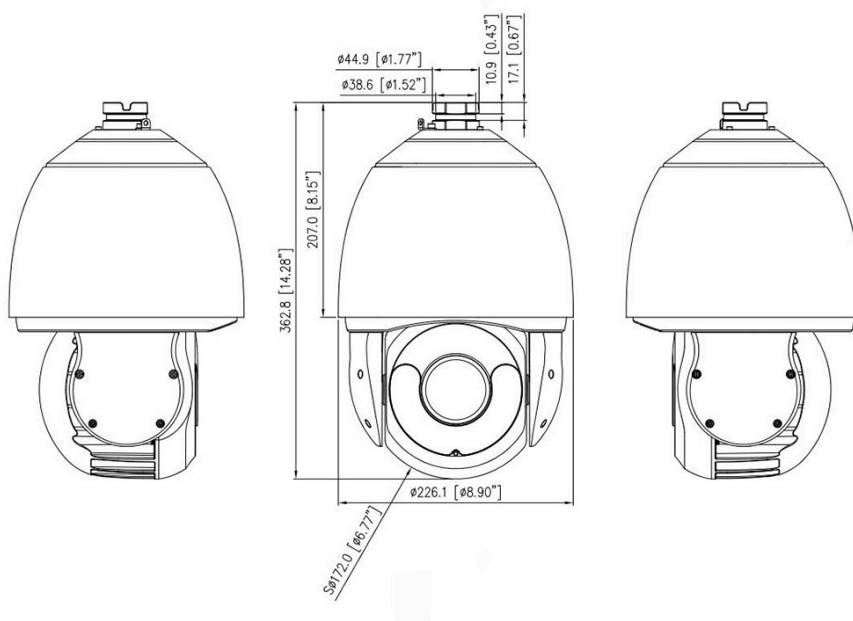
|                                   |   |
|-----------------------------------|---|
| Idle Motion                       | The time can be set (1-240 minutes), and functions such as preset positions, patrols, scans, and tracks can be run.                                   |
| <b>Event</b>                      |   |
| Alarm Triggers                    | IVS, Motion detection, Alarm input, Network alarm, Disk alarm, Day/Night switch alarm, Abnormal sound detection                                       |
| Event Actions                     | Alarm record, Alarm output, FTP upload, SMTP upload, Snapshot, Audible alarm output   |
| <b>Network</b>                    |   |
| Protocols                         | IPv4/IPv6, HTTP/HTTPS, DNS, DDNS, DHCP, PPPoE, RTSP/ RTP/RTCP/RTP, TCP/UDP, NTP, ARP, UPnP, FTP, SMTP, QoS, ICMP, IGMP, SMTP, 802.1x, SNMP, Multicast |
| Application Programming Interface | ONVIF (Profile S/T/G/M), SDK, CGI   |
| Max Concurrent Streams            | 10 channels   |
| User/Host Level                   | 32+ users, 3 levels: Administrator, Operator, Media user  |
| Web Viewer                        | <IE11, Chrome, Firefox, Microsoft Edge  |
| <b>Security</b>                   |   |
| OS / Firmware Protect             | Encrypted firmware, Signed firmware   |
| User Authentication               | Digest authentication, Prevent brute-force attack   |
| Network Authentication            | IEEE 802.1X(EAP-TLS)  |
| Secure Communication              | HTTPS, WSS(WebSocket Secure), SRTP  |
| Access Control                    | IP-based access control, Auto logout  |
| Data Protect                      | Encryption credentials  |
| Audit                             | Access / System / Event Log management  |
| Secure Storage                    | SDcard partition encrypt(AES-256), Secure element   |
| Supply Chain Security             | SBOM  |
| <b>Interface</b>                  |   |
| Network Interface                 | 1 × Ethernet (10/100 Base-T), RJ-45 connector   |
| Audio Interface                   | 1ch input, 1ch output   |
| Alarm Interface                   | 7ch input, 2ch output   |
| RS-485                            | Supported   |
| CVBS Output                       | 1ch BNC   |
| SD Card Slot                      | Built-in microSD card slot, up to 1 TB  |
| <b>General</b>                    |   |
| Language                          | English, Chinese, Traditional Chinese, Polish, Italian, Portuguese, Spanish, Russian, French, Czech, Hungarian, Japanese, Korean. Default: English    |
| Power Supply                      | 24 VAC / 36 VDC / PoE++ (802.3bt), Standard Equipped: 36 VDC  |
| Power Consumption                 | Max. 45 W   |
| Operating Temperature             | -40°C to 60°C (-40°F to 140 °F)   |

|                    |  |
|--------------------|--|
| Operating Humidity | Less than 95% RH   |
| Ingress Protection | IP66, IK10, NEMA 4X (optional)   |
| Certifications     | CE-EMC<br>- EN 55032, EN IEC 61000-6-3, EN IEC 61000-3-2, EN 61000-3-3, EN 55035, EN 50130-4<br>CE-LVD<br>- EN IEC 62368-1<br>FCC 47 CFR Part 15 Subpart B |
| Material           | Metal  |
| Dimensions         | φ226.1 × 362.8 mm (φ8.9 × 14.28 inch)  |
| Net Weight         | 5.5 kg (12.13 lb)  |

**DORI Distance (EN62676-4 standard)**

|           |  |
|-----------|--|
| Detect    | 95 to 3,515 m (311.68 to 11,532.15 ft) |
| Observe   | 38 to 1,406 m (124.67 to 4,612.86 ft)  |
| Recognize | 19 to 703 m (62.34 to 2,306.43 ft)     |
| Identify  | 9.5 to 351.5 m (31.17 to 1,153.22 ft)  |

**Dimensions (mm)**



## Accessories

### Optional:



SN-CBK506B  
Wall Mount



SN-BK348A  
Ceiling Mount



SN-BK605  
Corner Mount



SN-BK604B  
Pole Mount



SN-BK367  
Junction Box



SN-BK358  
Corner Mount



SN-BK359  
Pole Mount